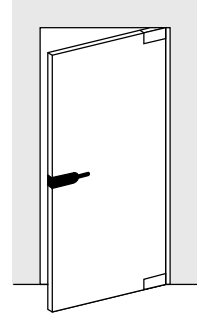


3. LOCKS AND HINGES: INTERIOR DOORS

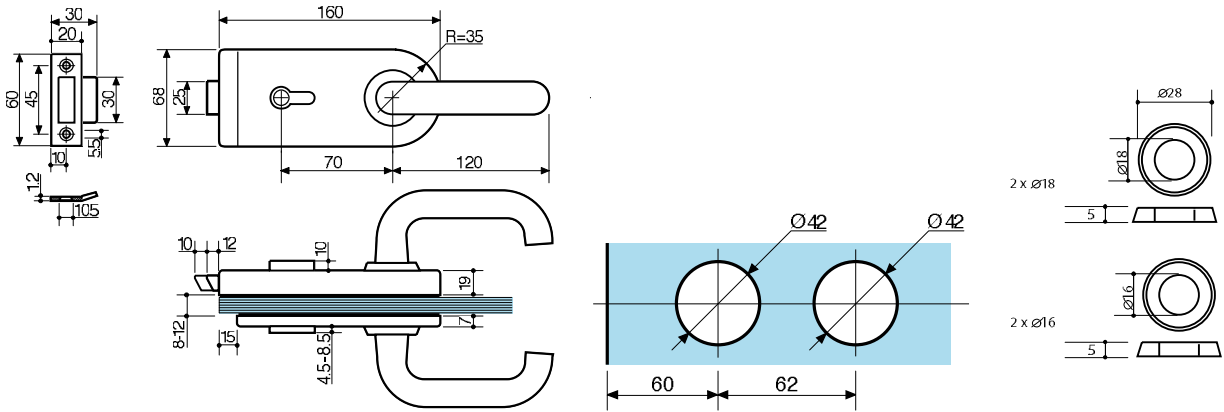


V 525

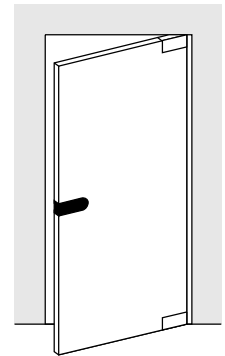


CENTRE LOCK WITH EURO PROFILE CYLINDER AND LEVER HANDLES INCLUDING STRIKE PLATE.

SERRATURA CENTRALE CON MANIGLIA E CILINDRO PROFILO EURO

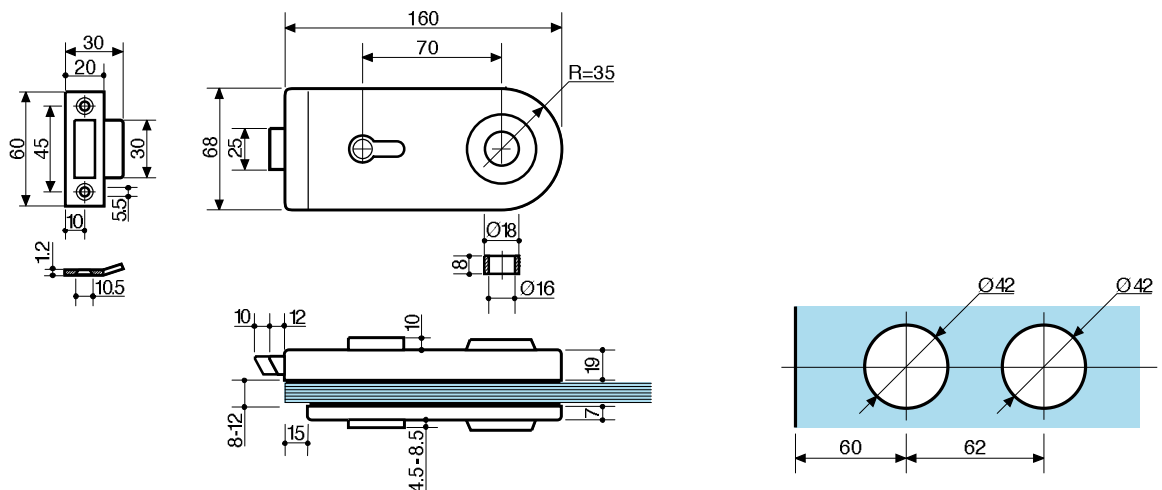


V 310

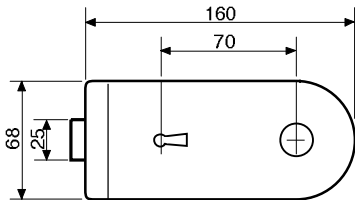
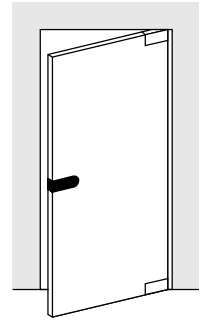


CENTRE LOCK FOR EURO PROFILE CYLINDER AND LEVER HANDLES OR KNOBS INCLUDING STRIKE PLATE

SERRATURA CENTRALE CON CILINDRO SENZA MANIGLIE

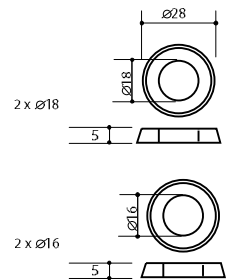
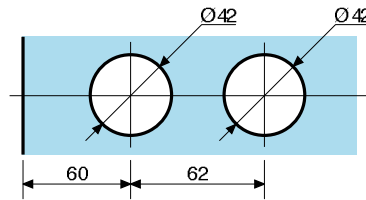
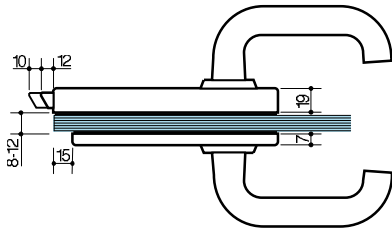


V 525.2

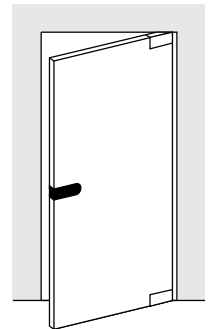


CENTRE LOCK WITH ONE BB-KEY AND LEVER HANDLES INCLUDING STRIKE PLATE.

SERRATURA CENTRALE CON MANIGLIA E CHIAVE TIPO BB

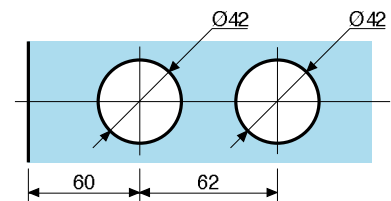
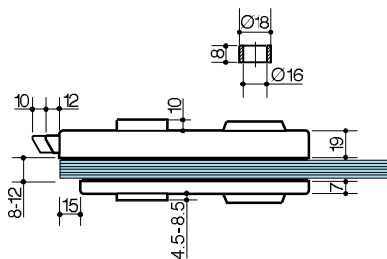
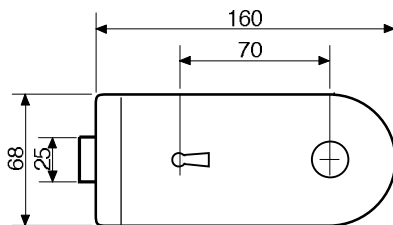
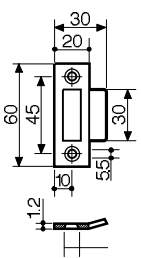


V 320



CENTRE LOCK WITH ONE BB-KEY WITHOUT HANDLES INCLUDING STRIKE PLATE.

SERRATURA CENTRALE CON CHIAVE TIPO BB

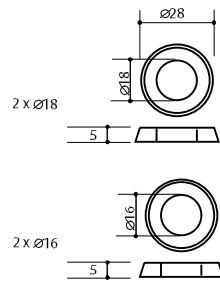
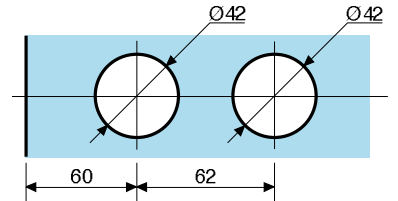
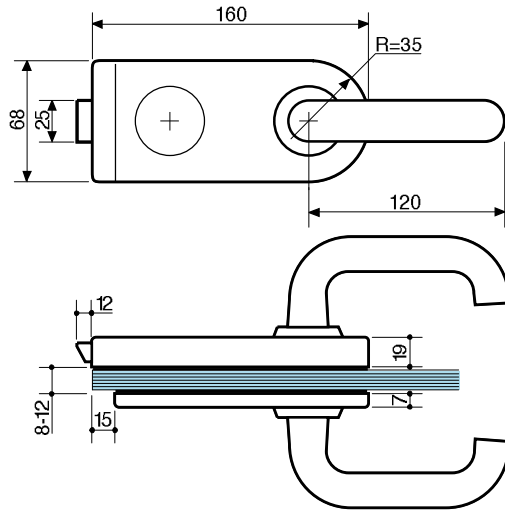
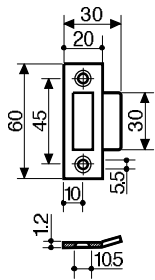
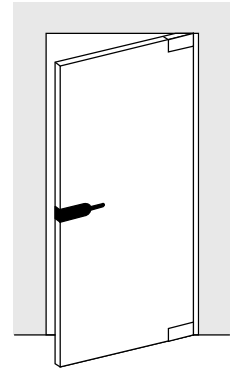


V 526



CENTRE LATCH SET WITH LEVER HANDLES.
(REAR MOUNTING) INCLUDING STRIKE PLATE

SERRATURA CENTRALE CON MANIGLIA,
MONTAGGIO POSTERIORE

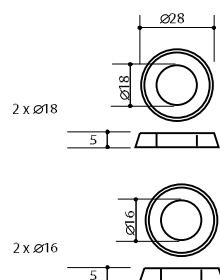
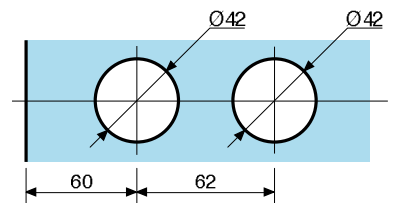
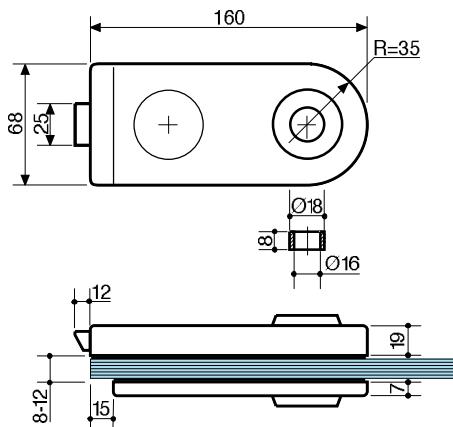
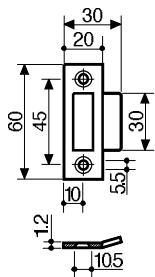
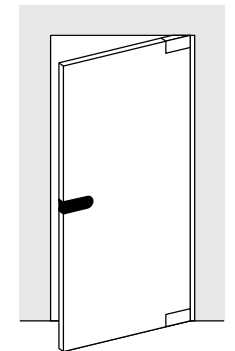


V 330



CENTRE LATCH SET WITHOUT HANDLES
INCLUDING STRIKE PLATE (REAR MOUNTING).

SERRATURA CENTRALE SENZA MANIGLIE
(MONTAGGIO POSTERIORE)

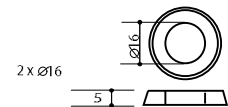
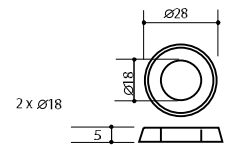
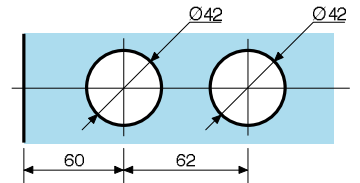
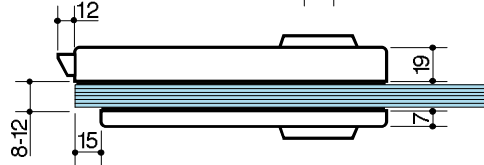
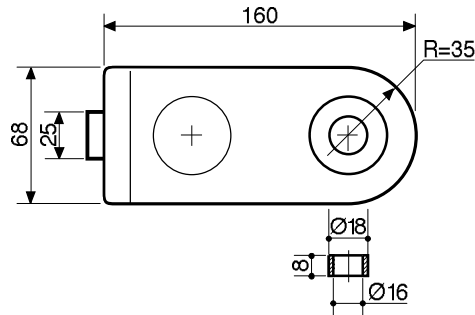
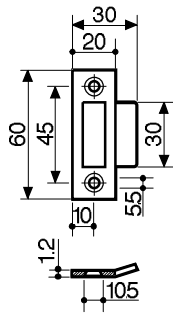
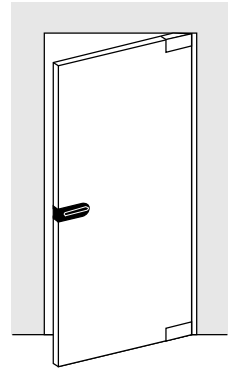


V 350



CENTRE LATCH SET WITH LEVER HANDLES
(FRONT MOUNTING).

SERRATURA CENTRALE CON MANIGLIA
MONTAGGIO ANTERIORE

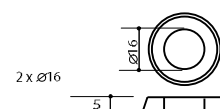
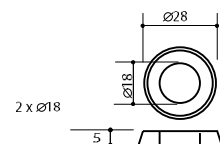
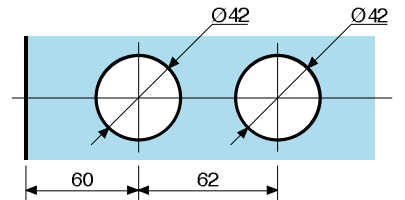
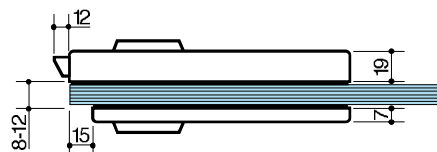
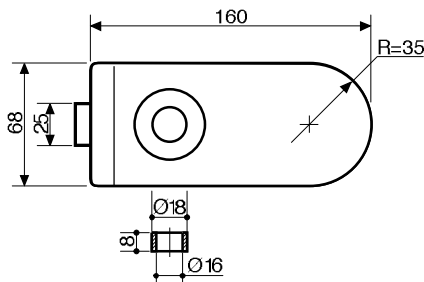
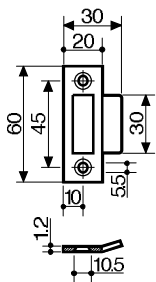
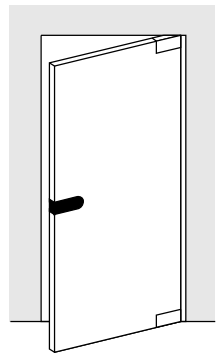


V 340

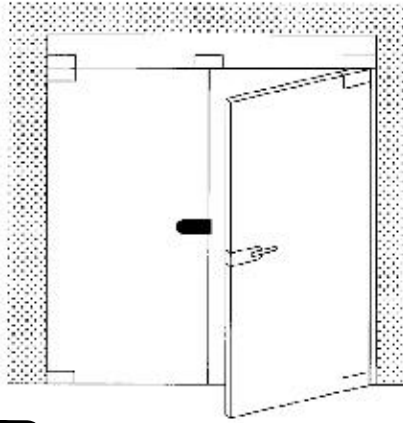


CENTRE LATCH SET WITHOUT HANDLES
(FRONT MOUNTING).

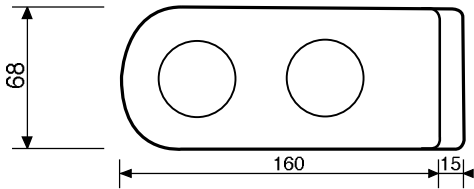
SERRATURA CENTRALE SENZA MANIGLE
(MONTAGGIO ANTERIORE)



V 527

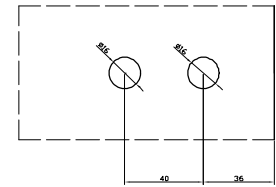
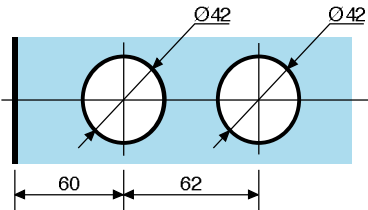
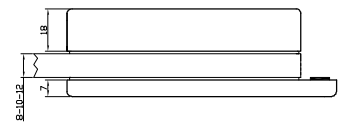
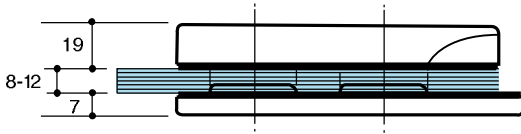
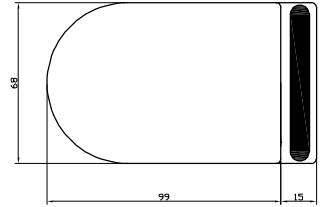


V 227



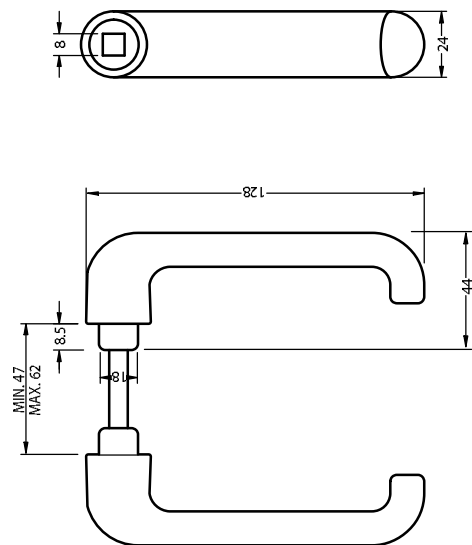
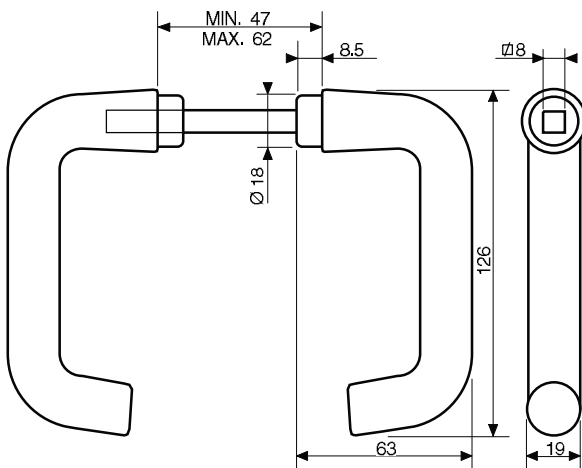
PATCH KEEPS
FOR CENTRE LOCKS

CONTROCARTELLI
PER SERRATURE CENTRALE

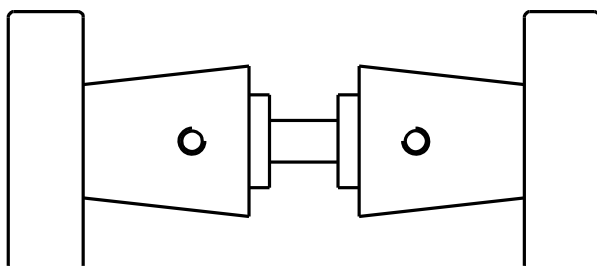


V 750

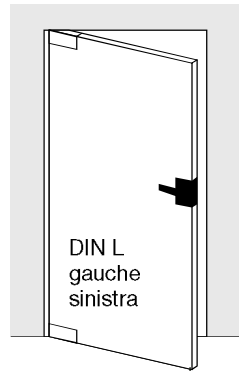
V 760



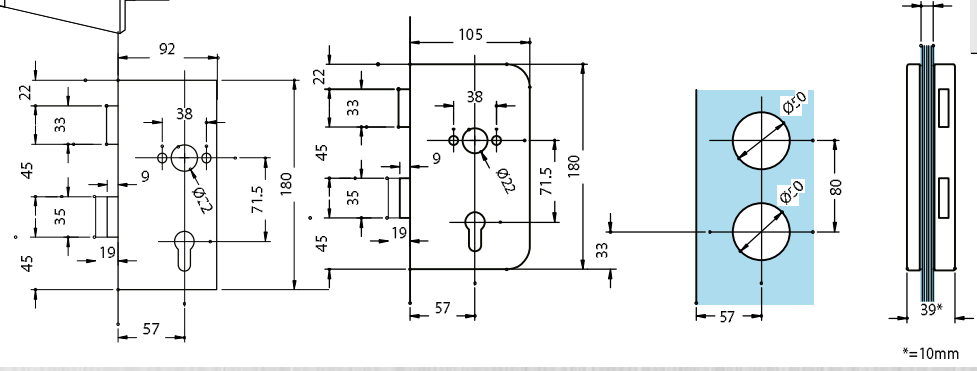
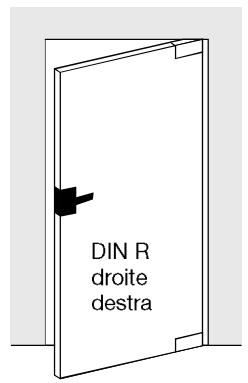
V 525.5



PAIR OF LEVER HANDLES
MANIGLIA (PAIO)



CENTRE LATCH WITH DEAD BOLT (HANDED)
GANCIO CENTRALE CON CATENACCIO (D/S)

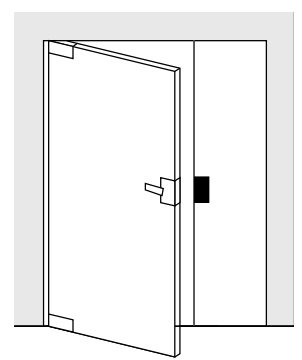
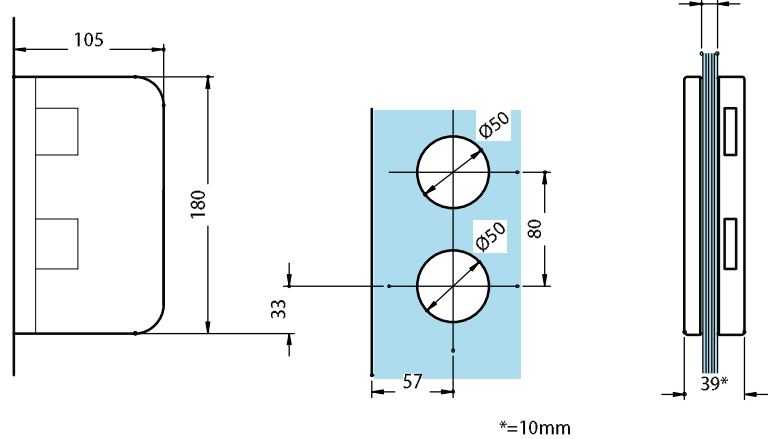
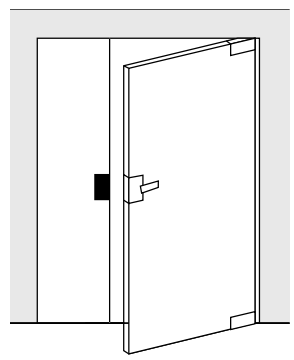


V 377

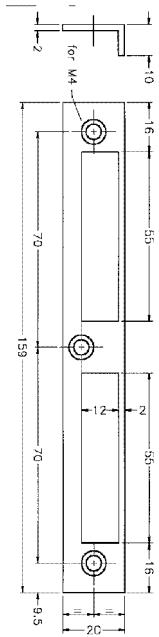


PATCH KEEP FOR V 370 (HANDED)
CONTROCARTELLA PER V360 - DIN D/S

V 378

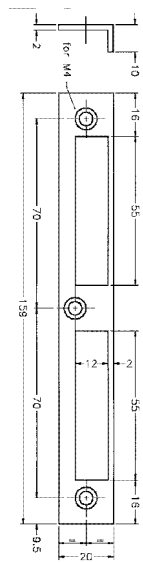


V 2140



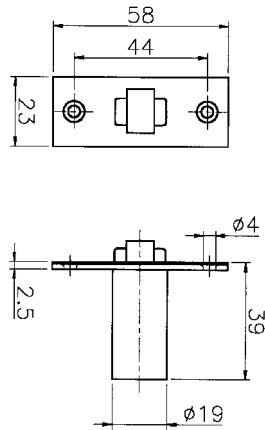
STRIKE PLATE FOR V 370
PIATTAFORMA PER V 370

V 2140.2W



NYLON ROLLER CATCH IN METAL HOUSING ADJUSTABLE FROM FACE
PIASTRINA DI CHIUSURA REGOLABILE CON RULLINO IN NYLON

RS 02

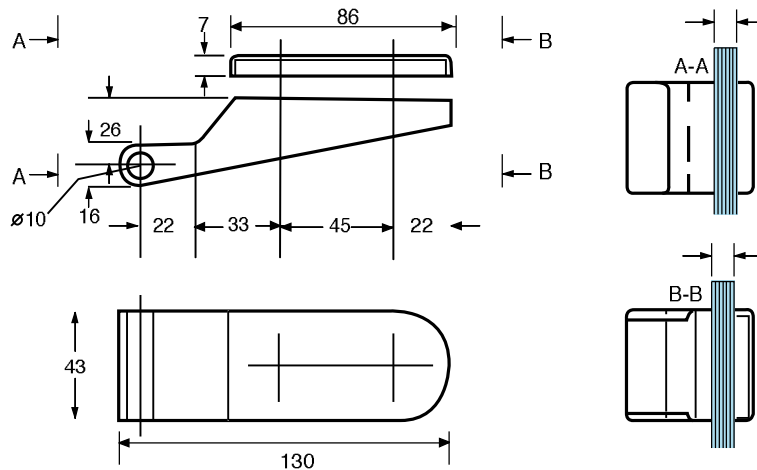
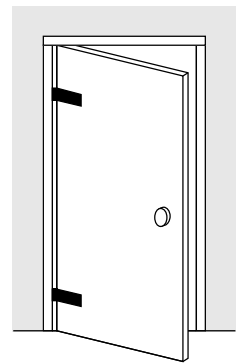


V 505.2



HINGE FOR SINGLE ACTION DOORS, GERMAN TYPE.

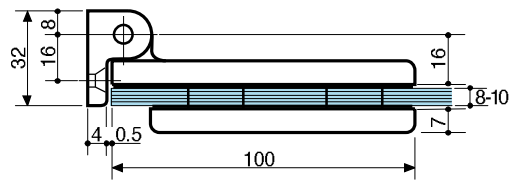
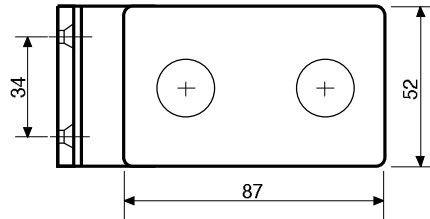
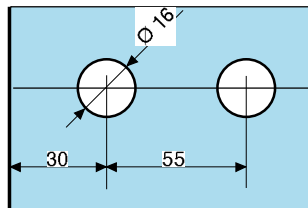
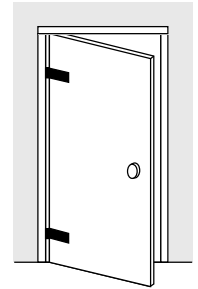
CERNIERA PER PORTE CLARIT AD AZIONE SINGOLA TIPO TEDESCO



V 505



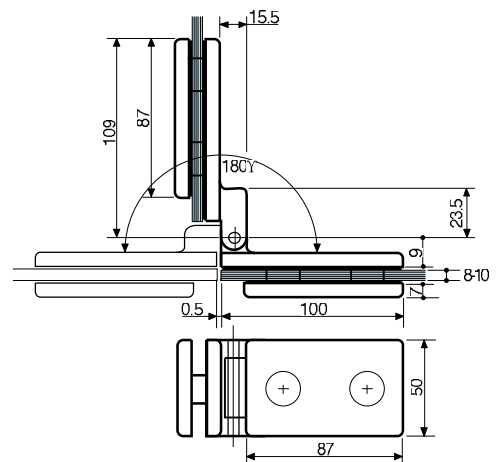
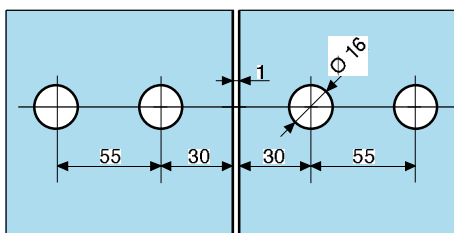
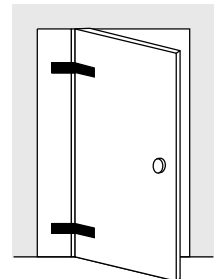
PATCH-HINGE FOR SINGLE ACTION DOORS
CERNIERA PER PORTE CLARIT AD AZIONE SINGOLA



V 507



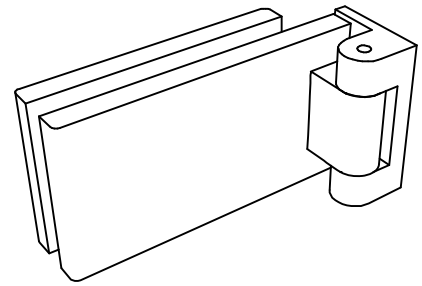
GLASS TO GLASS HINGE FOR SINGLE ACTION DOORS.
CERNIERA DOPPIA PER PORTE CLARIT AD AZIONE SINGOLA CON CORPO ANODIZZATO



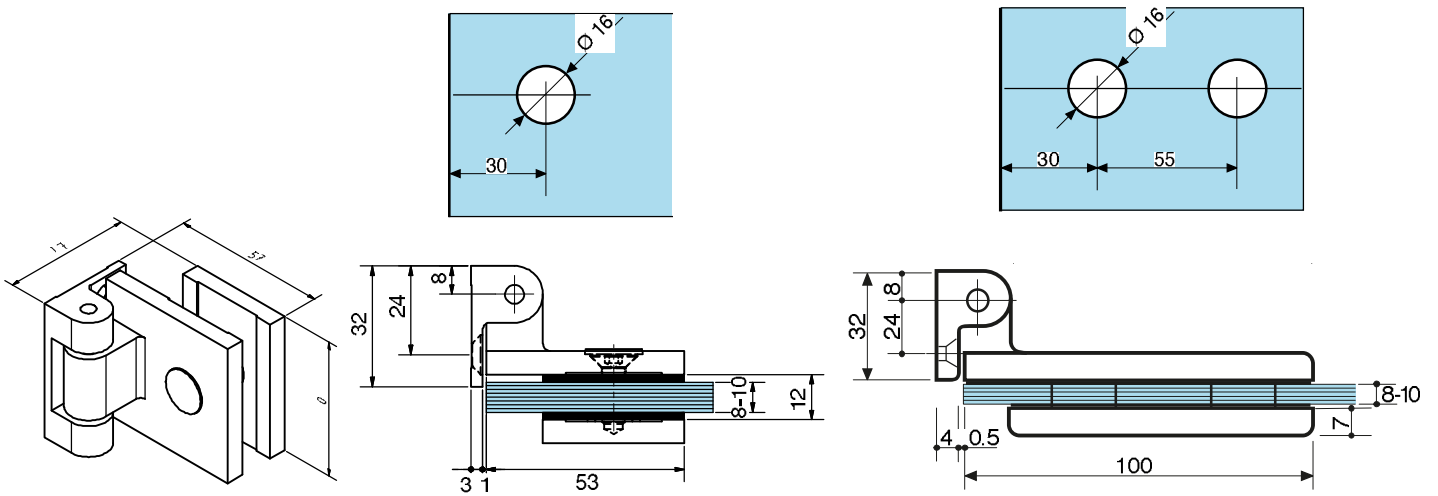
V 503.2



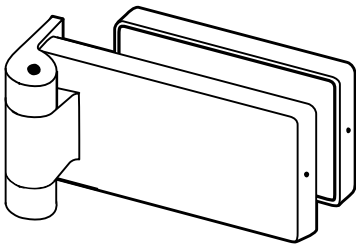
V503



PATCH-HINGE (EXTENDED FRAME PART) FOR SINGLE ACTION DOORS AND DOOR FRAMES
 CERNIERA PER PORTE CLARIT AD AZIONE SINGOLA CON PIASTRA A MURO AMPLIATA

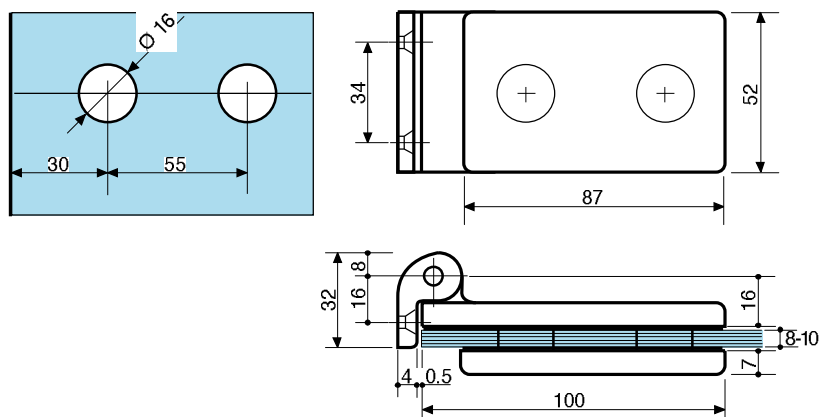
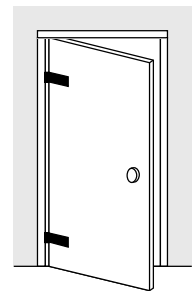


V 504



PATCH-HINGE FOR SINGLE ACTION DOORS

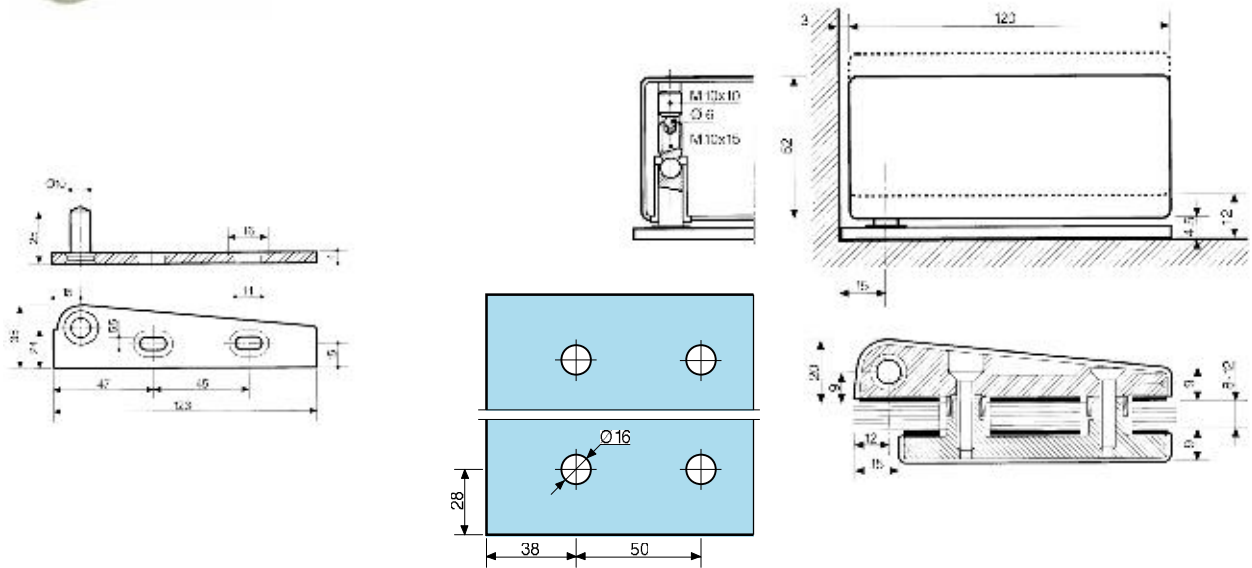
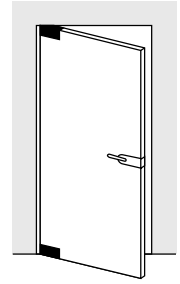
CERNIERA PER PORTE CLARIT AD AZIONE SINGOLA CON PIASTRA A MURO ARROTONDATA



V 590

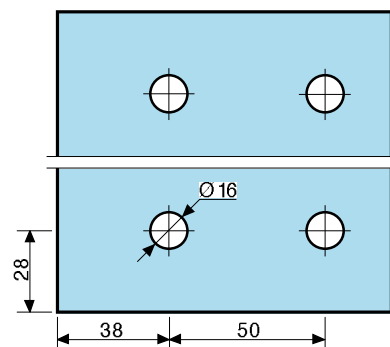
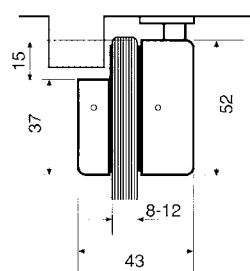
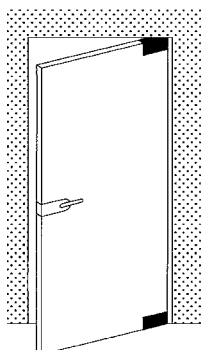


TOP AND BOTTOM OFFSET PIVOT HINGES WITH MOUNTING PLATES (SET).
REGGISOPRALUCE E FISSO LATO MANIGLIA SENZA BATTUTA



TOP AND BOTTOM OFFSET PIVOT HINGES WITH MOUNTING PLATES (SET).
TOP HINGE WITH ADAPTED BACKPLATE.

CERNIERE SFALSATE INFERIORE E SUPERIORE COMPLETE DI PIASTRINE
D'ATTACCO (PAIO) - DIN DESTRO

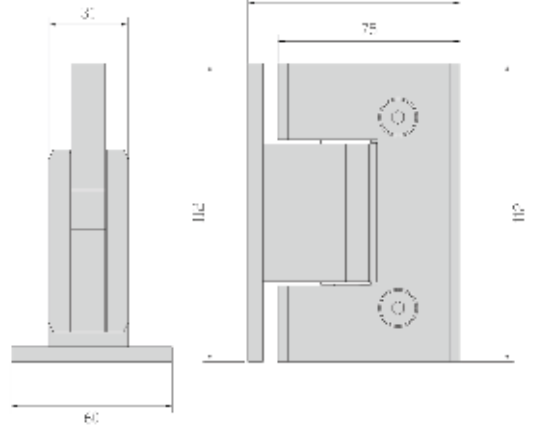
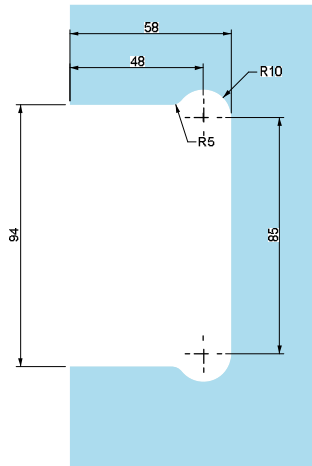
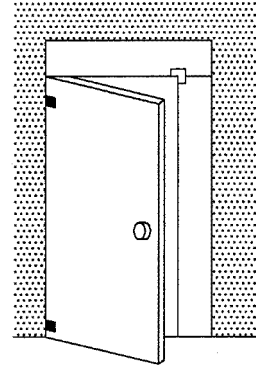




HH 021 90 M (stop at 90°/Satin Stainless steel)



SELF CLOSING HYDRAULIC HINGES
CERNIERE IDRAULICHE IN ACCIAIO INOX

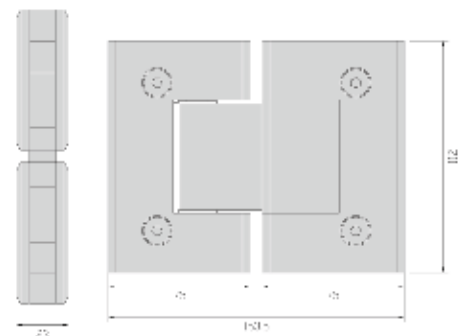
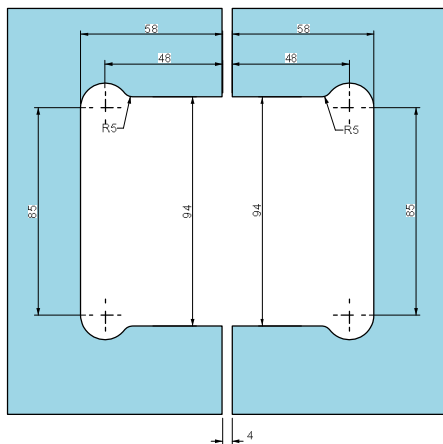
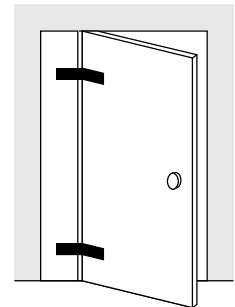


NOT AVAILABLE IN ITALY

HH 023 90 M (stop at 90°/Satin Stainless steel)



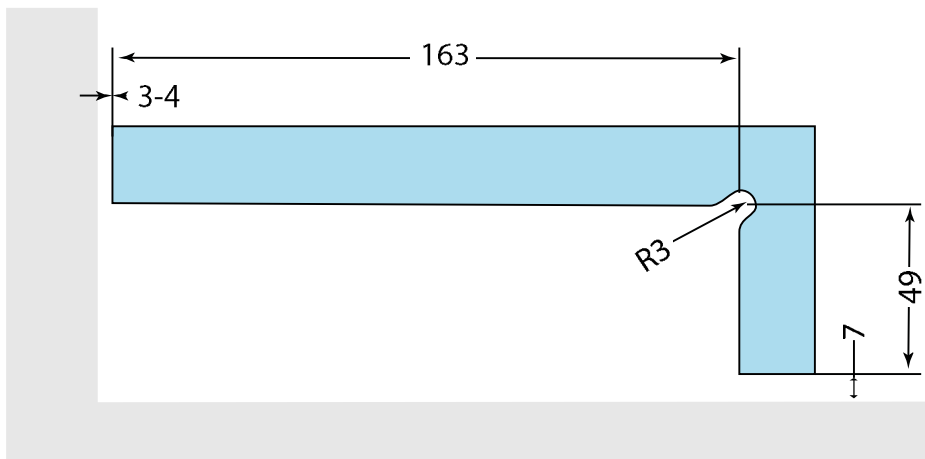
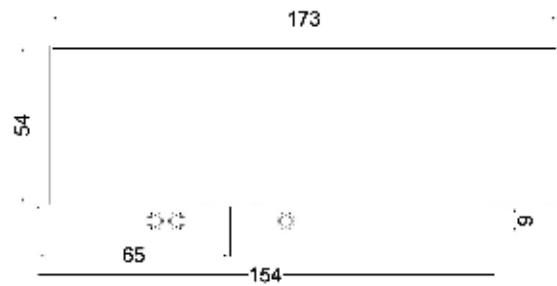
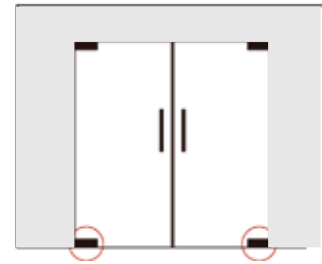
SELF CLOSING HYDRAULIC HINGES
CERNIERE IDRAULICHE IN ACCIAIO INOX



NOT AVAILABLE IN ITALY

HP 500

SELF CLOSING HYDRAULIC HINGES
CERNIERE IDRAULICHE IN ACCIAIO INOX

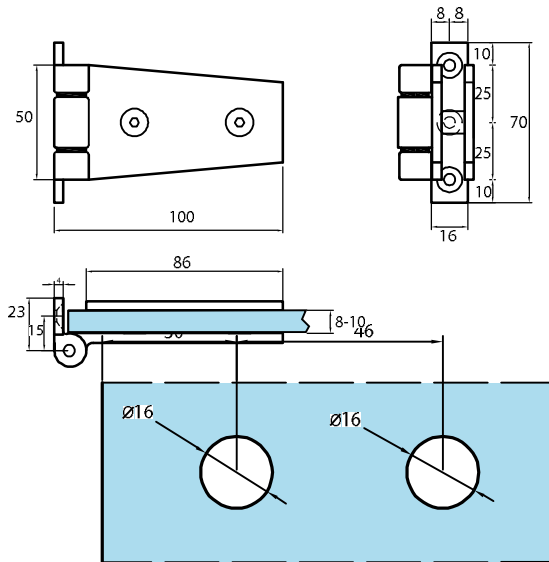


to combine with
combinaison con
à combiner avec

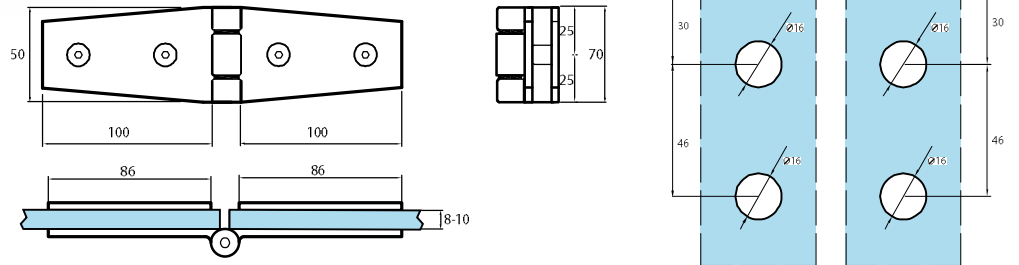
V 501 (patch fittings p3)

TOP PIVOT PATCH FOR DOUBLE ACTION DOORS 55 OR 65 CENTRES.
CERNIERA SUPIORE PER PORTE A DOPPIA AZIONE
PENTURE HAUTE POUR PORTES A DOUBLE ACTION.

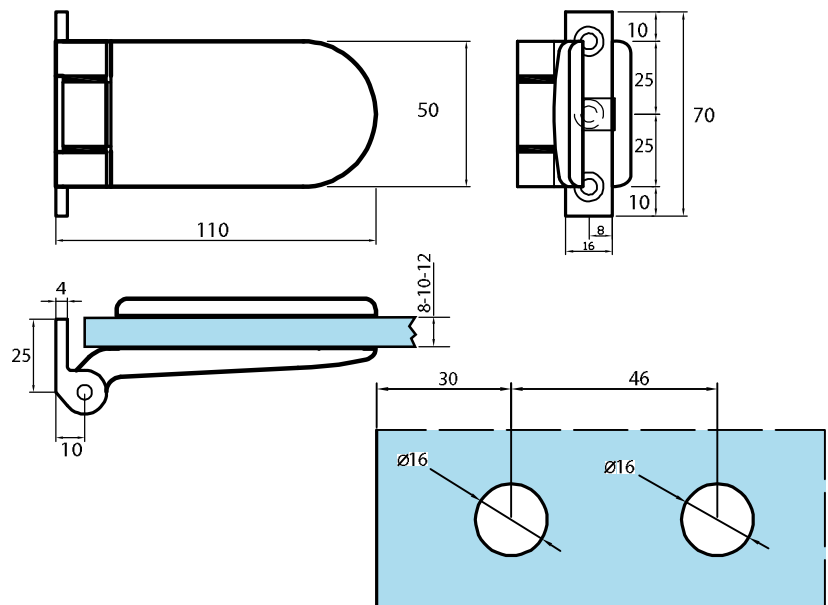
S117
SIDE TRAPEZOIDAL HINGE
CERNIERA DOPPIA TRAPEZIOIDALE



S117/D
TRAPEZOIDAL GLASS TO GLASS HINGE
CERNIERA DOPPIA TRAPEZIOIDALE

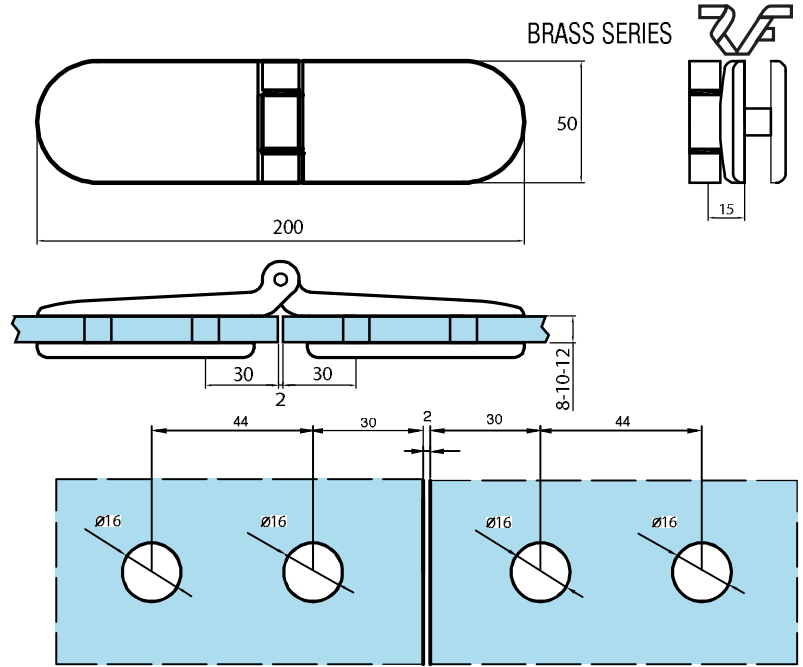


S118
Side hinge with cover
Cerniera laterale con copertina



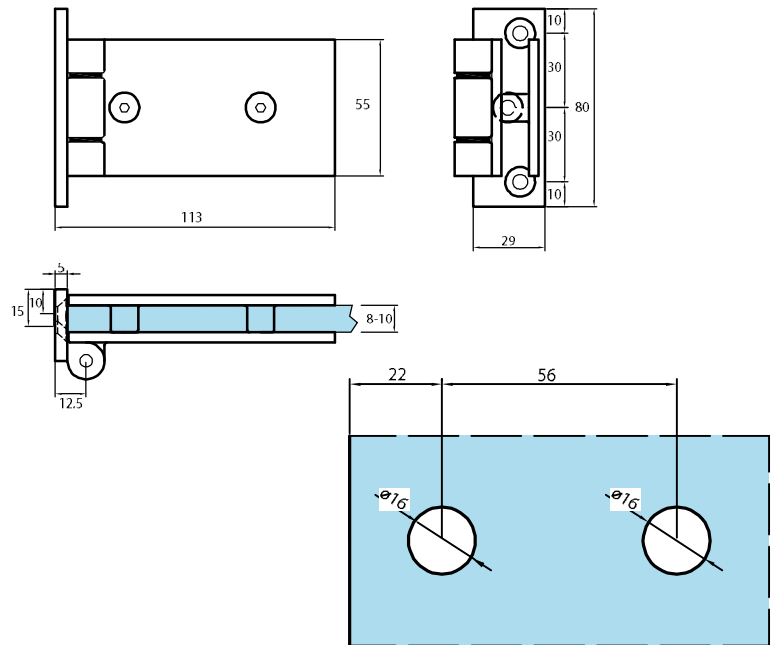
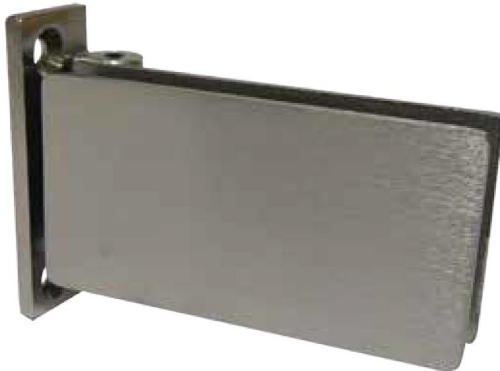
S118D

DOUBLE HINGE WITH COVER
CERNIERA DOPPIA CON COPERTINA



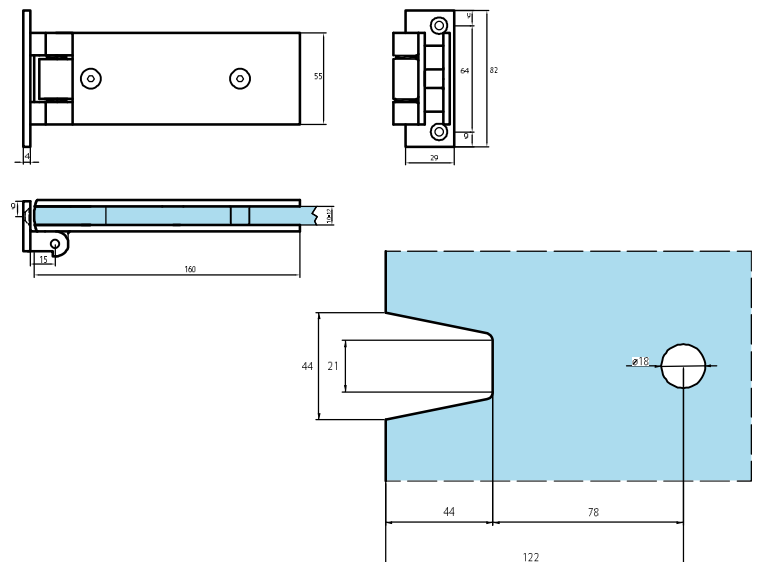
S1017

STANDARD HINGE
CERNIERA STANDARD, A SPINGERE



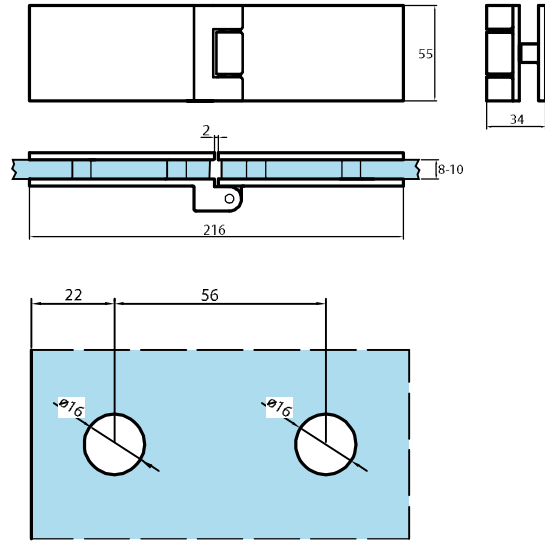
S1017A

Extended hinge
Cerniera allungata



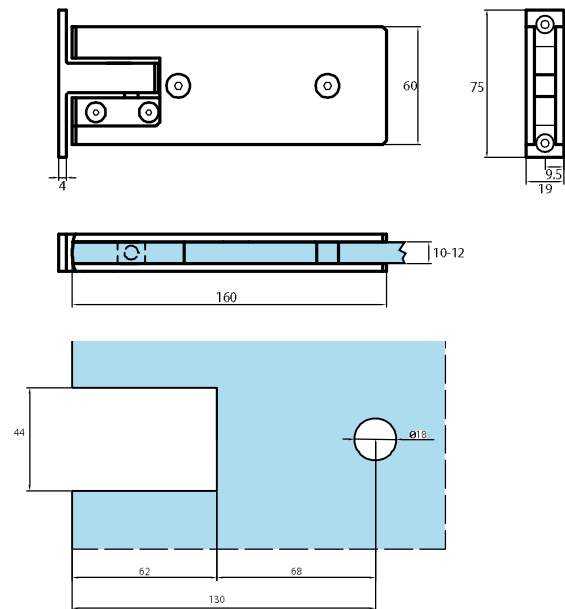
S1017D

Double hinge
Cerniera doppia



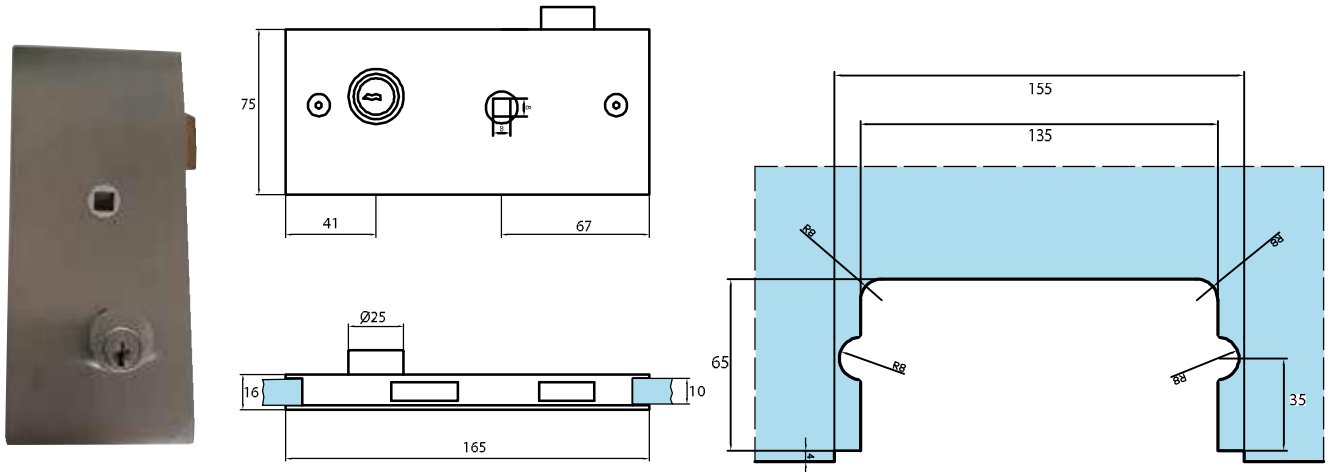
S1017Z

Extended hinge with fastener
Cerniera allungata con zanca



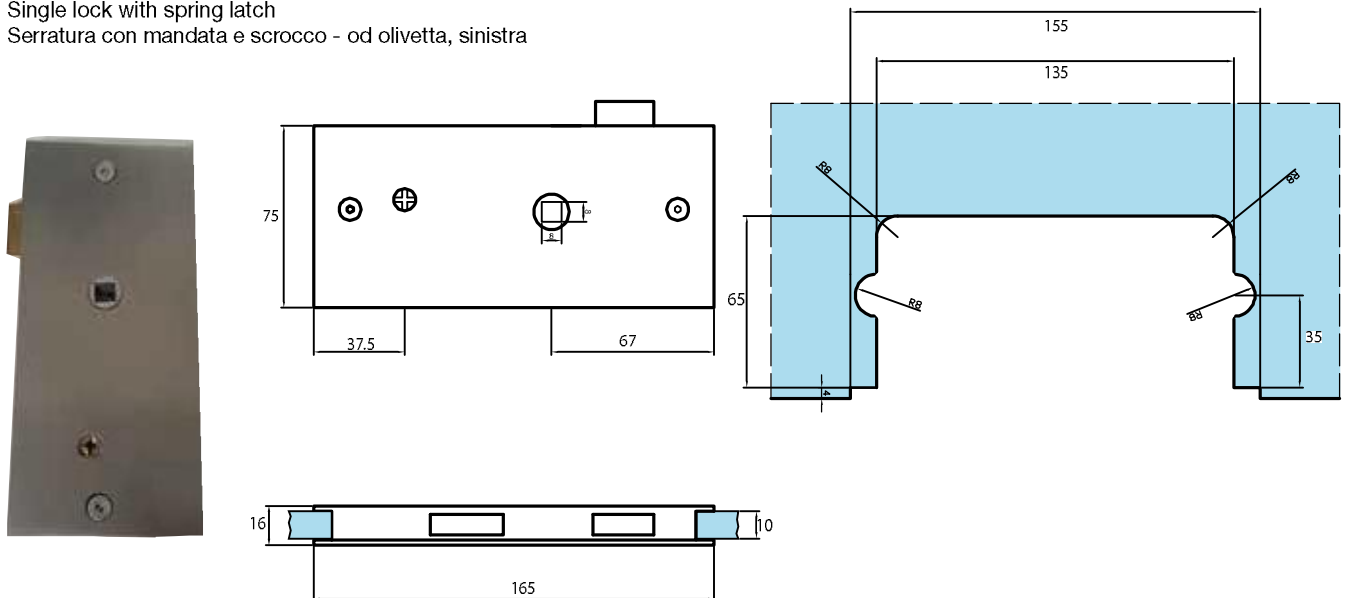
S1202

Single lock with spring latch
Serratura con mandata e scrocco - od olivetta, sinistra



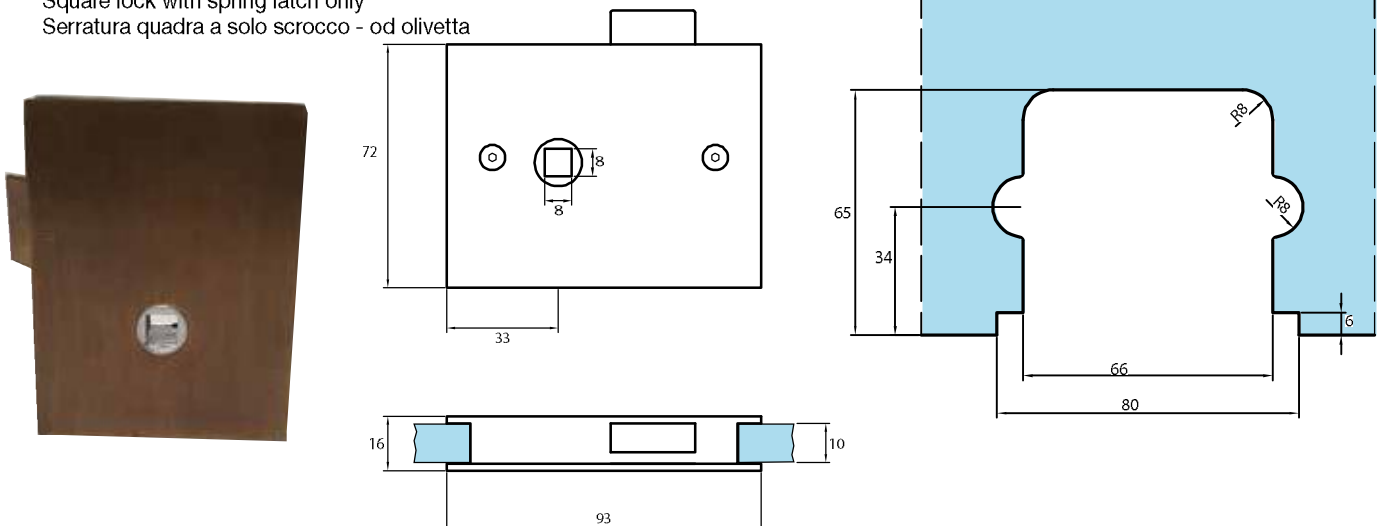
S1202/Z

Single lock with spring latch
Serratura con mandata e scrocco - od olivetta, sinistra



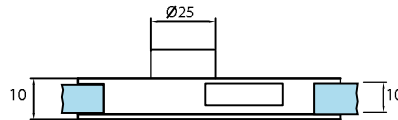
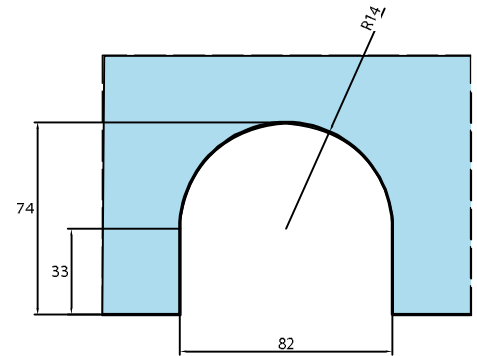
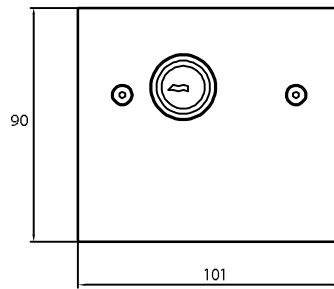
S1203

Square lock with spring latch only
Serratura quadra a solo scrocco - od olivetta



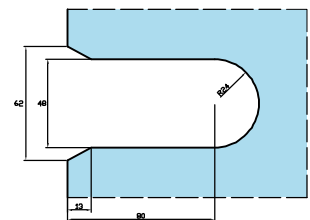
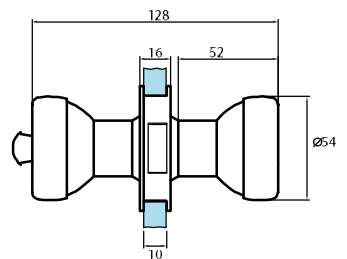
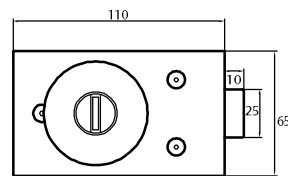
S1204

Central lock
Serratura centrale



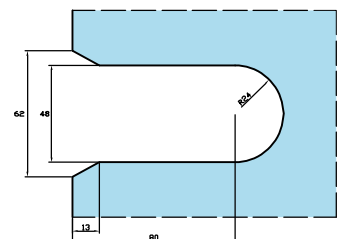
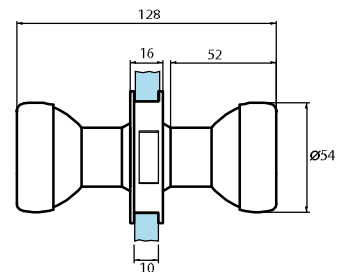
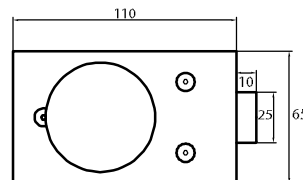
S1210/N

Standard knob lock- normal type
Serratura standard a pomoli - tipo normale



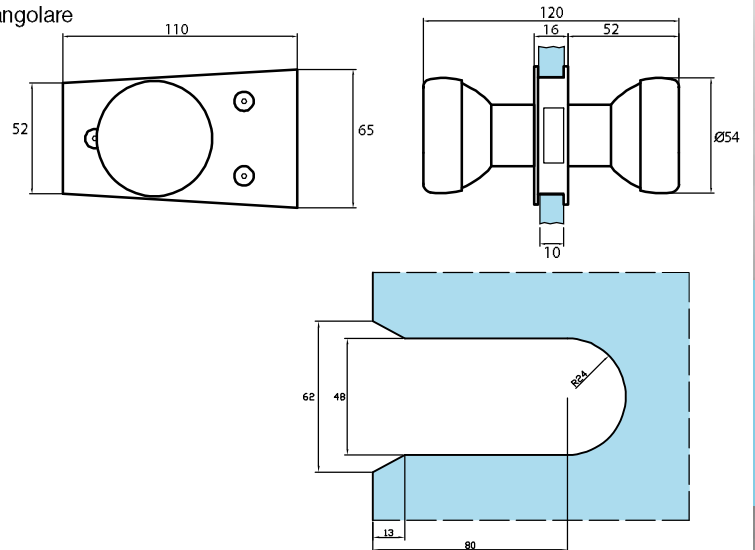
S1210/S

Standard knob lock- Simple type
Serratura standard a pomoli - tipo semplice



S1220/C

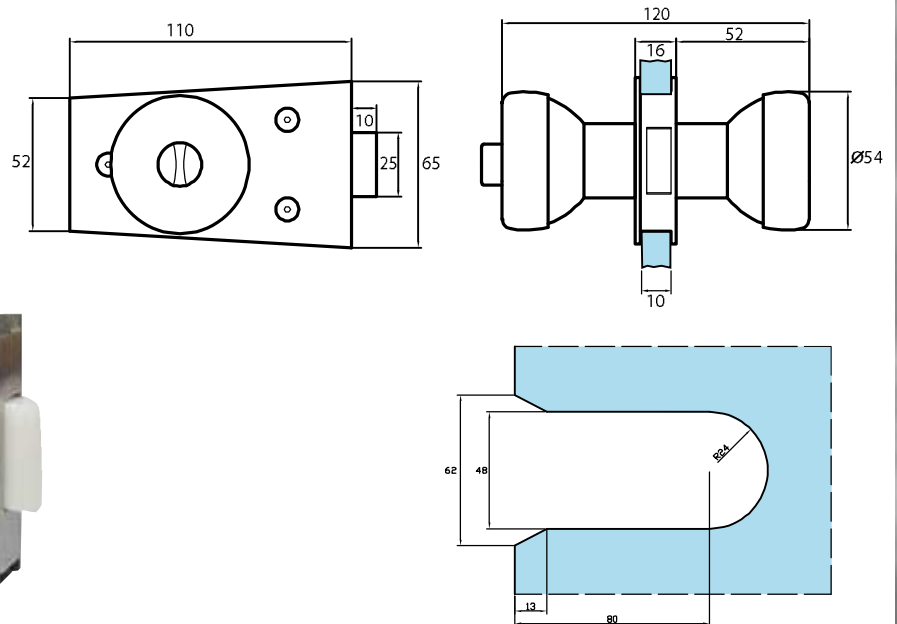
Trapezoidal standard backplate for S1220
 Controcartella trapezoidale per S 1220, anche in versione rettangolare



S1220/N

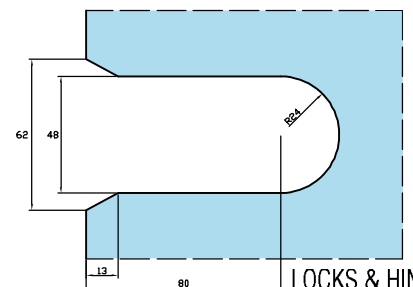
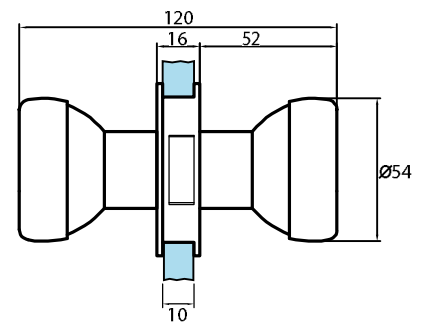
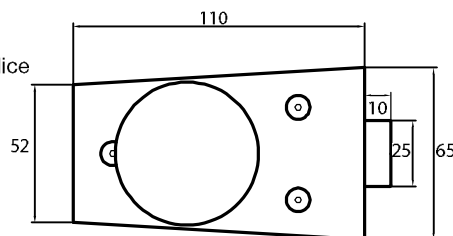
Trapezoidal standard lock - normal type

Serratura standard trapezoidale - tipo normale,
 anche in versione rettangolare



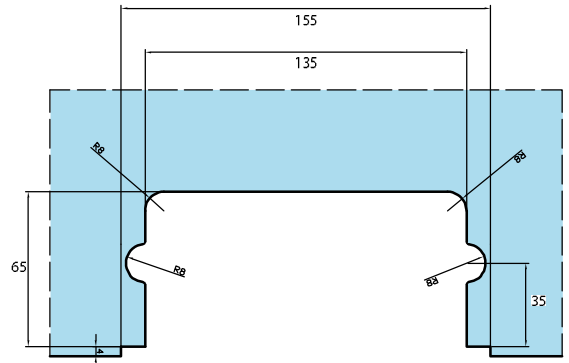
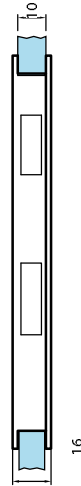
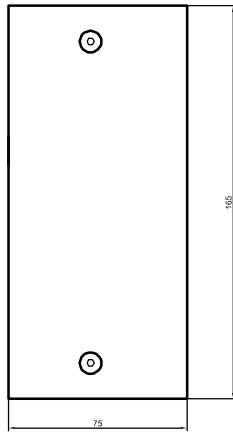
S1220/S

Standard knob lock - simple type
 Serratura standard a pomoli - tipo semplice



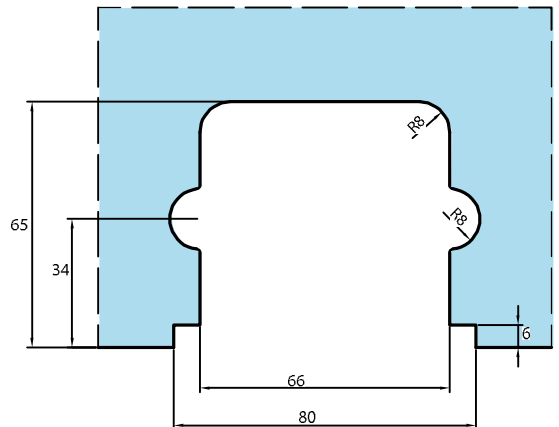
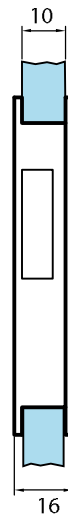
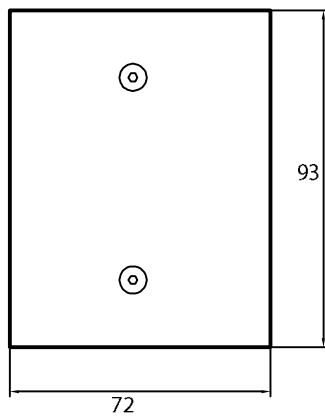
S1252

Backplate for items S 1202 - 1202 Z, with or without rabbet
 Controcartella per serratura S 1202 - 1202 Z, con battuta o senza



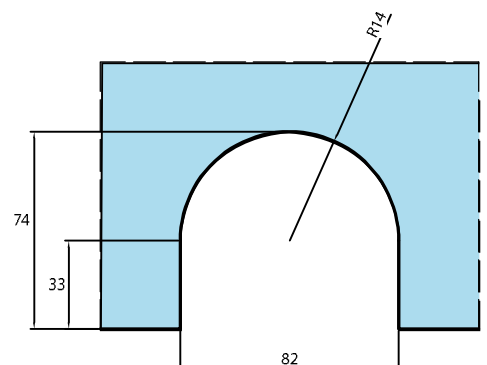
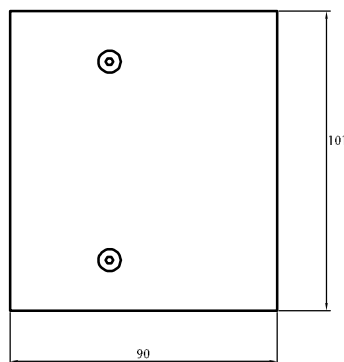
S1253-1256

Backplate for S1203-1206
 Controcartella per serratura S1203-1206



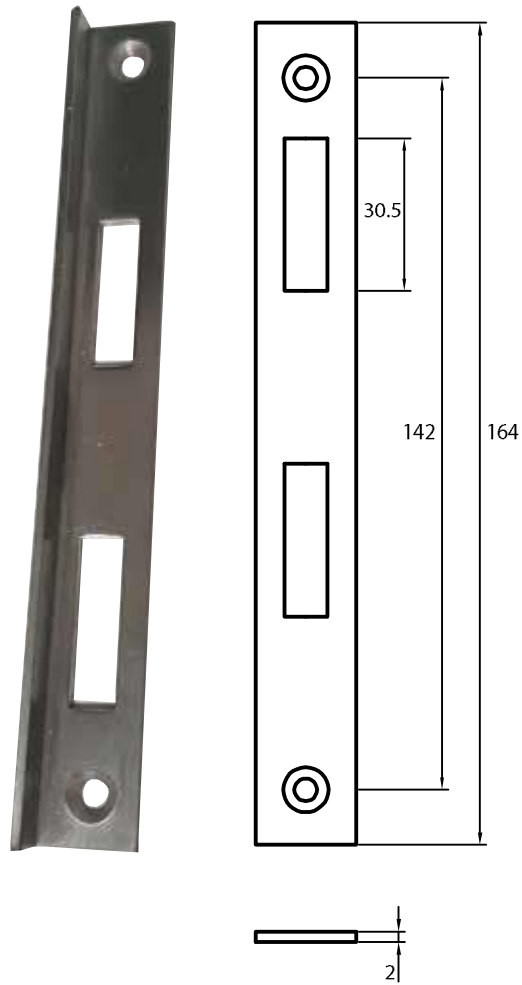
S1254

Backplate for S1204
 Controcartella per serratura S1204



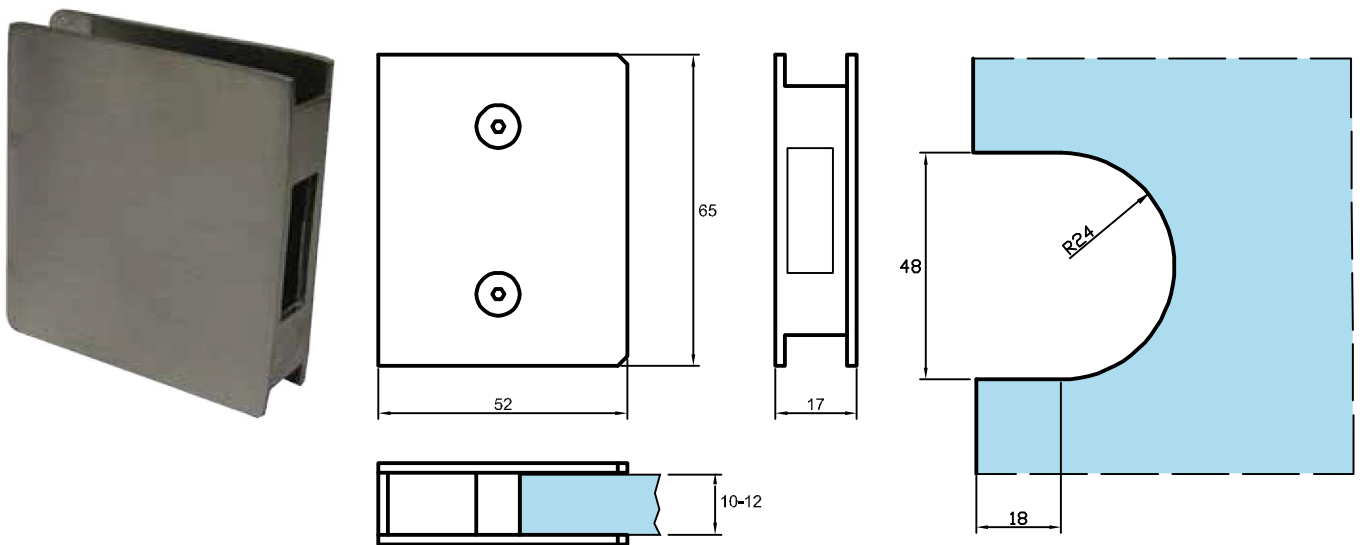
S1258

Big selvage for S1202-1202/Z
Bocchetta grande per S1202 - 1202/Z



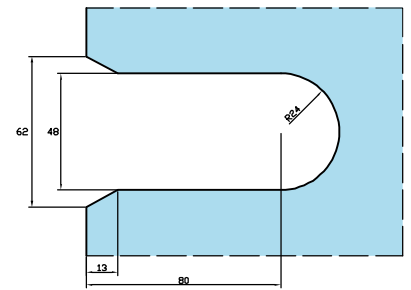
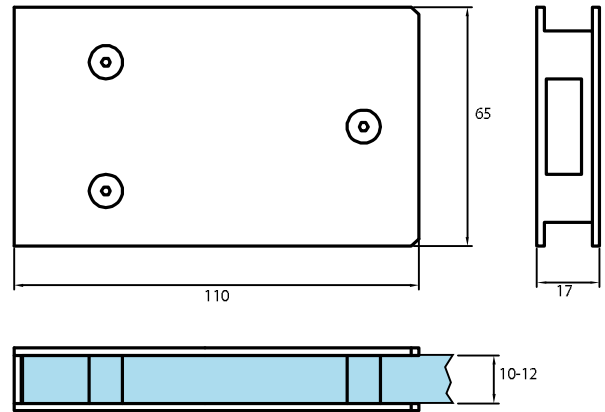
S1270

Small backplate for S1210
Controcartella piccola per serratura S1210-1220



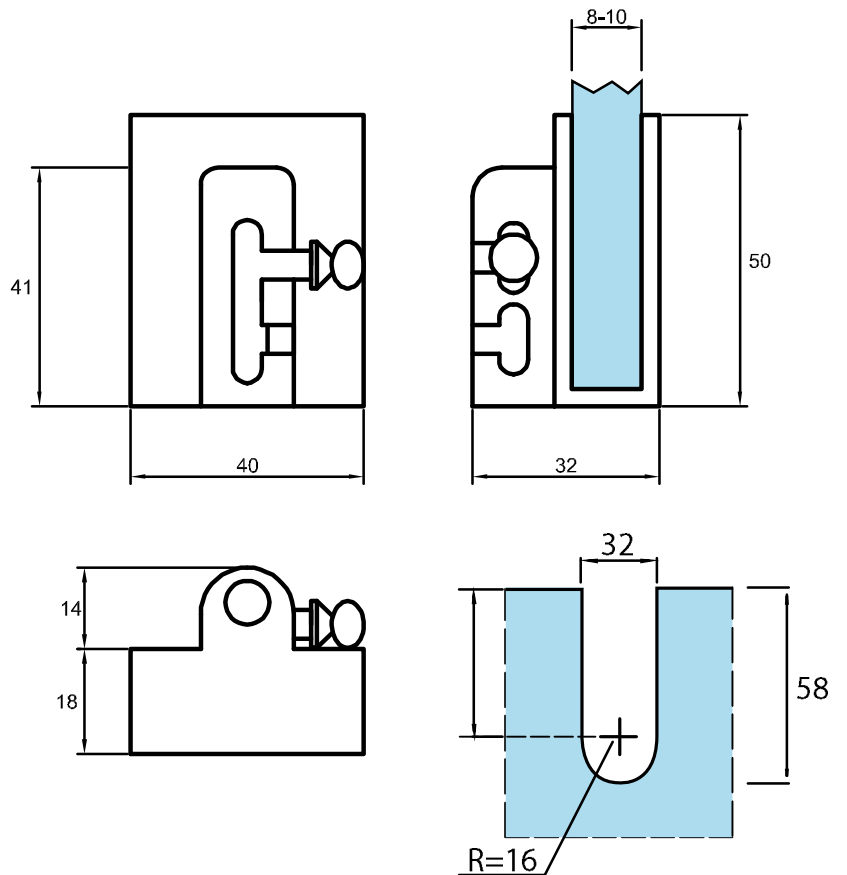
S1271

Big backplate for S1210
 Controcartella grande per S1210



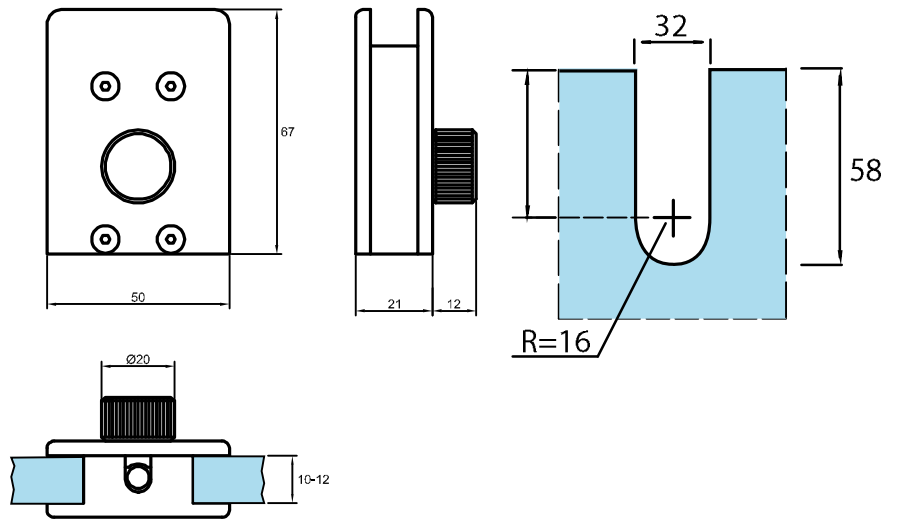
S1414

Latch without notch
 Catenacciolo senza tacca



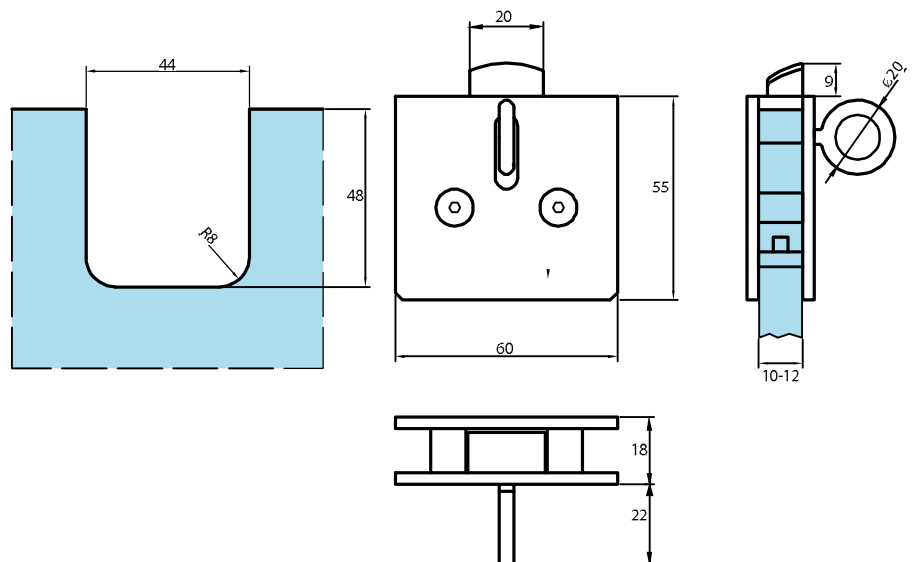
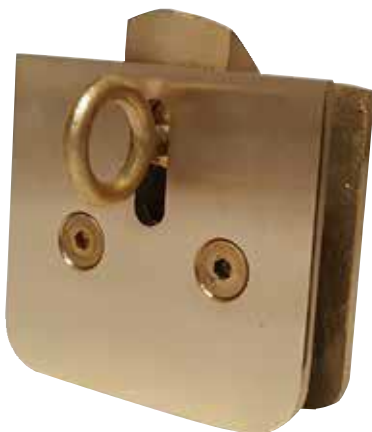
S1415

Latch
Catenacciolo



S1443

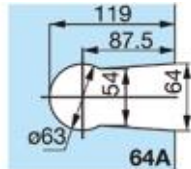
Latch for vent windows
Scrocchetto per wasistas





72850L

Lock Adler Selection with handles polished stainless steel



72851M

Lock Adler Selection with handles brushed stainless steel



72852N

Hinge Adler Selection with reversible surface fixed polished stainless steel

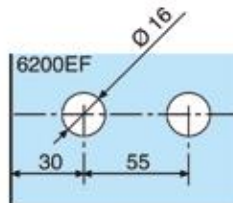
Technical features
For 8 mm thick toughened glass
Hinge for rebate of 35 to 40 mm
To fit notch 6200EF
Dimensions size of doors 827 mm x 2034 mm
Max load 45 kg for 2 hinges.
For load exceeding a third hinge must be fitted.



72854Q

Hinge Adler Selection with reversible surface fixed aluminium frame polished stainless steel

Technical features
For 8 mm thick toughened glass
To fit notch 6200EF
Dimensions size of doors 827 mm x 2034 mm
Max load 45 kg for 2 hinges.
For load exceeding a third hinge must be fitted.



72853P

Hinge Adler Selection with reversible surface fixed brushed stainless steel

Technical features
For 8 mm thick toughened glass
Hinge for rebate of 35 to 40 mm
To fit notch 6200EF
Dimensions size of doors 827 mm x 2034 mm
Max load 45 kg for 2 hinges.
For load exceeding a third hinge must be fitted.



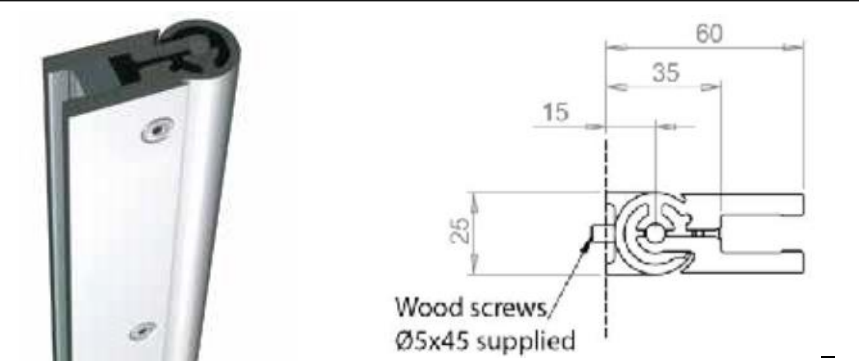
72855R

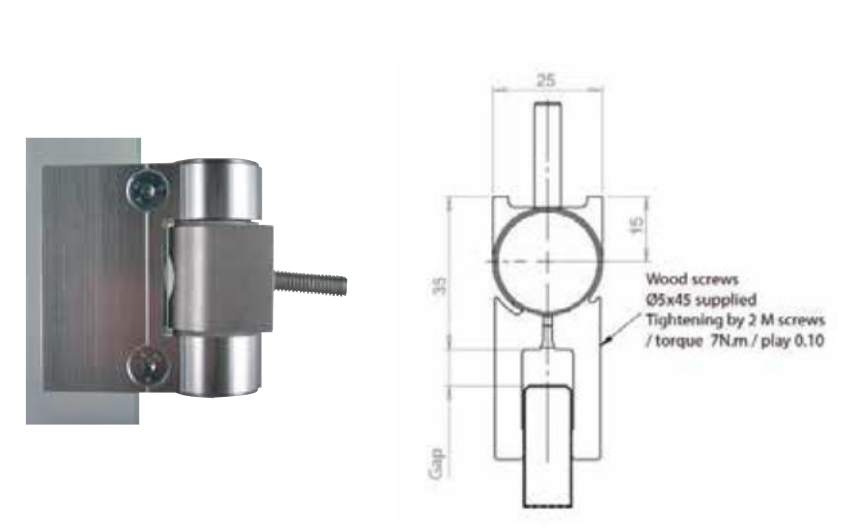
Hinge Adler Selection with reversible surface fixed aluminium frame brushed stainless steel

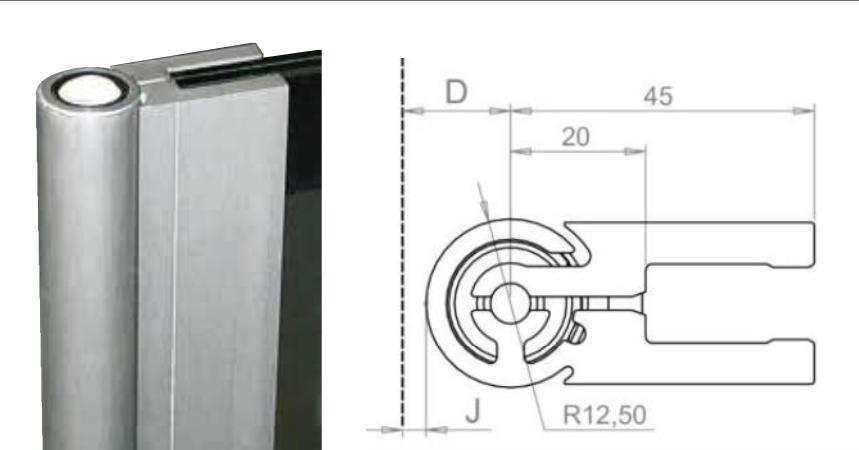
Technical features
For 8 mm thick toughened glass
To fit notch 6200EF
Dimensions size of doors 827 mm x 2034 mm
Max load 45 kg for 2 hinges.
For load exceeding a third hinge must be fitted.

732A

Adler VF: Full height, anti-finger trap hinges or tube hinges and clips adjustable for laminated glass, uncoated 55.2 or tempered (10 mm).

Adjustable hinge full height 55.2 - 10mm tempered	Unit 2m75	
	Chromed	73282F
	BSS anodised	73285J
	plain	73270S

Adjustable hinge 55.2 - 10mm tempered	Unit	
	Chromed	73281D
	BSS anodised	73284H
	plain	73271T

Tube hinge rectangular pin 55.2 - 10mm tempered	Unit 2m75	
	Chromed	73280C
	BSS anodised	73283G
	plain	73249U

Adler VF in aluminium



With the tube hinges and clips for laminated glass 55.2, this principle is designed for clipping onto the edge of glass panels: This tightening method is very efficient and can be used directly metal on glass for a supremely elegant design and greater ease of installation. For thinner lamination (44.2), it is possible to install the system using sheets of cork laid in the gap of the clip at full height, the overhang being trimmed with the cutter flush with the clip after tightening. Naturally, these clips, lift-off hinges and tube hinges are suitable for coated glass panels (55.2 or 10 mm monolithic). The double-action lift-off and tube hinges are anti-finger-trap. It is possible to make up as much as 15 mm in the width of a door by controlling the area of glass in the clip. Butt and tube hinges are adjustable to the height of the door.

