

## 2. DOOR CLOSERS



## Floorsprings & Door Closers

### IGF 201

#### FLOOR SPRING

pivot de sol

COVERPLATES IN:

- POLISHED STAINLESS STEEL
- SATIN STAINLESS STEEL

PLAQUES DE RECOUVREMENT EN:

- ACIER INOX POLI
- ACIER INOX SATINE

250 mm



95 mm

- Depth: 42 mm
- Adjustment inside the cement box:
  - Height: 4 mm
  - Width: 5 mm
  - Left / right: 6 mm
- Maximum door weight: kg 80
- Available power sizes: EN2, EN3
- Hold Open position: 90°
- Maximum opening angle: 130°
- size cover plate: 111 x 261 mm

### IGF 300

#### FLOOR SPRING

pivot de sol

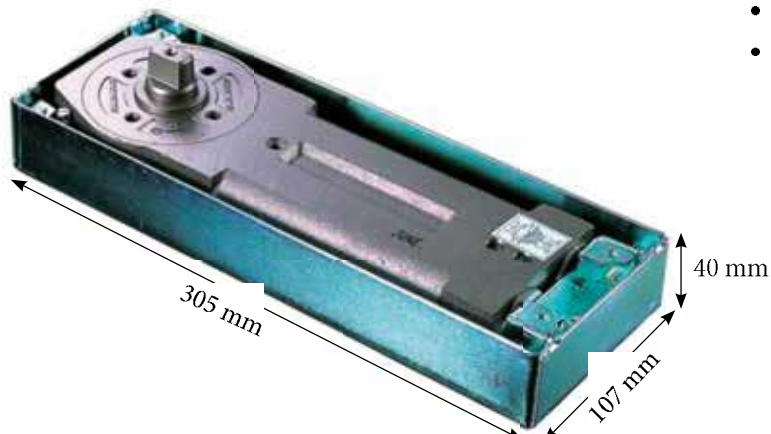
COVERPLATES IN :

- SATIN STAINLESS STEEL (STANDARD)
- POLISHED STAINLESS STEEL (ON REQUEST)

PLAQUES DE RECOUVREMENT EN :

- ACIER INOX SATIN (STANDARD)
- ACIER INOX POLI (SUR DEMANDE)

- Adjustment inside the cement box:
  - Height: 4 mm
  - Width: 5 mm
  - Left / right: 7 mm
- Maximum door weight: kg 170
- Fixed power size from EN2 to EN5
- Hold Open position: 90°
- Maximum opening angle: 130°
- size cover plate: 129 x 320 mm



DOOR CLOSERS



## SEVAX FLOOR SPRINGS



### 73068X

Door pivot "Janus+" F3 stop at 90°  
"Janus+" multiple-use floor pivot. Stop at 90°. Dual action: 180° in both directions; for door (up to 150 kg) opening to the right or left or a swing door. 3 speed settings for closing:  
- from 180° to 70°, with possibility of delayed closing,  
- from 70° to 15°, normal setting,  
- from 15° to 0°, end-of-travel setting.  
Heat-stable braking at -20°C to +40°C. Extra-flat: 55 mm. Removable rectangular axis; extension end available on request.  
L: 273 ; w: 85 ; h: 55 mm



### 73070Z

Door pivot "Janus+" F3 stop at 90° square axis  
"Janus+" multiple-use floor pivot. Stop at 90°. Dual action: 180° in both directions; for door (up to 150 kg) opening to the right or left or a swing door. 3 speed settings for closing:  
- from 180° to 70°, with possibility of delayed closing,  
- from 70° to 15°, normal setting,  
- from 15° to 0°, end-of-travel setting.  
Heat-stable braking at -20°C to +40°C. Extra-flat: 55 mm. Removable square axis; extension end available on request.  
L: 273 ; w: 85 ; h: 55 mm



### 73073C

Door pivot "Minos+" F3 stop at 90° rectangular axis  
Minos+ floor pivot, stop at 90°. Heat-stable (from -15° to +40°C); small overall dimensions (L: 273; w: 85; h: 55 mm). Opening and return ±180°, for door with dual and single action, opening to the right or left. Adjustable speed. Adjustable in its bedded casing. Safety valve protects against rough handling.



### 73074D

Door pivot "Minos+" F3 stop at 90° square axis  
Minos+ floor pivot, stop at 90°. Heat-stable (from -15° to +40°C); small overall dimensions (L: 273; w: 85; h: 55 mm). Opening and return ±180°, for door with dual and single action, opening to the right or left. Adjustable speed. Adjustable in its bedded casing. Safety valve protects against rough handling.



### 73075F

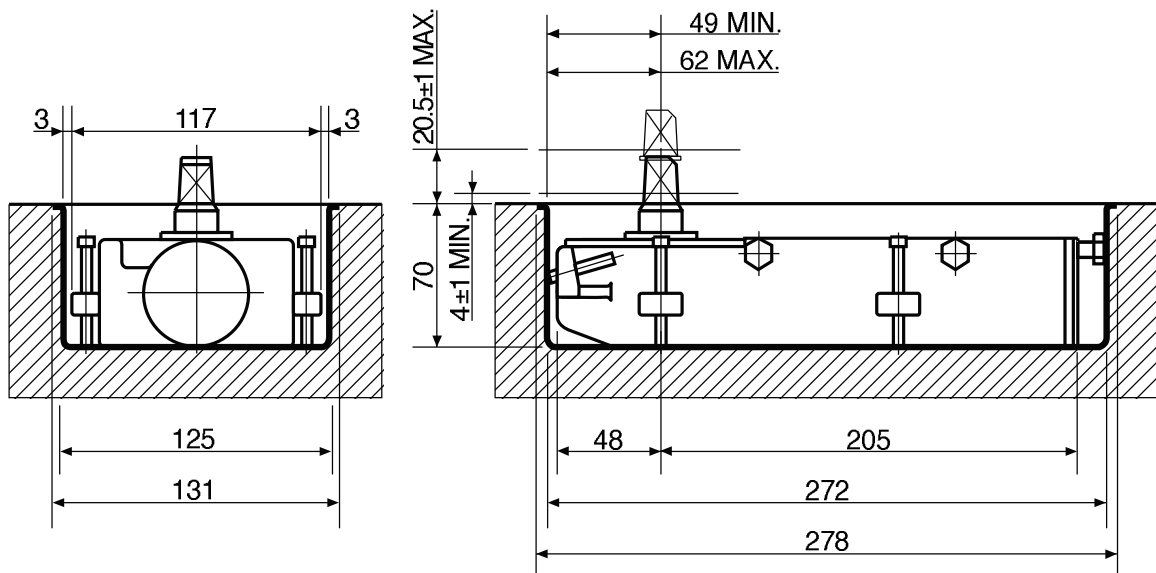
Cover for "Janus+"&"Minus+" floor pivot polished stainless steel covering plate for floor pivot. L: 285; w: 105 mm. Polished stainless steel



### 73061Q

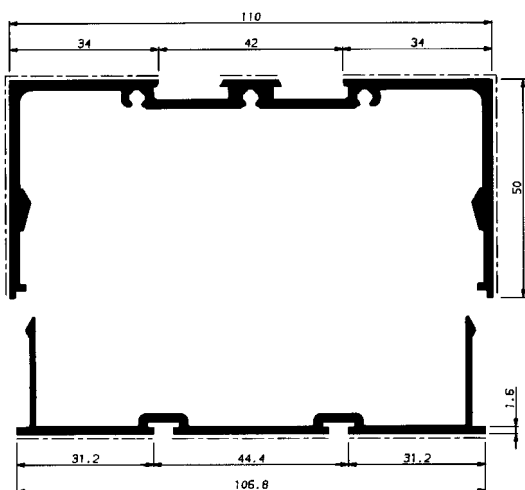
Shim cross 25/100 x 100 for Sevax door closer

# RF-01 FLOOR SPRING



# IGF 70 OVERHEAD CONCEALED DOOR CLOSER

ferme-porte encastrées dans le dormant

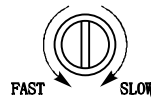
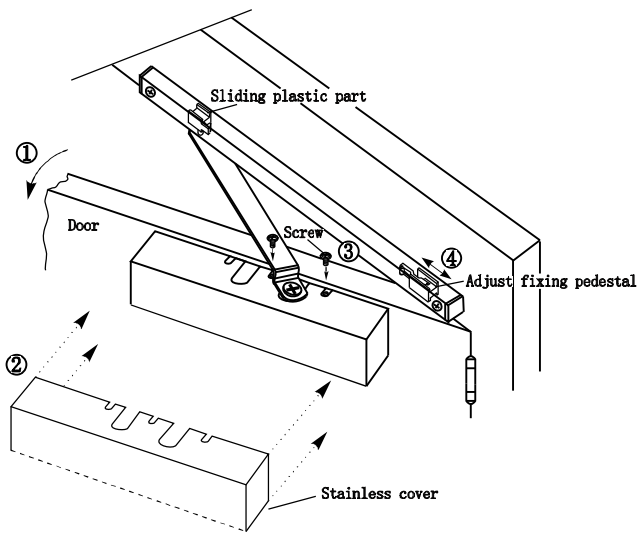
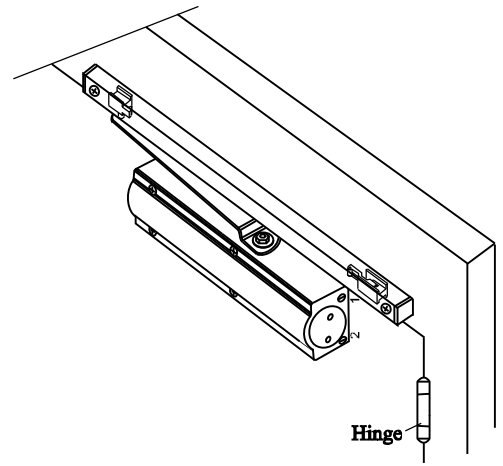


- Transom closer
- Maximum door width: mm 1200
- Fixed power size from EN1 to EN4
- Hold Open position: 90°
- International Glass Fittings
- Maximum opening angle: 130°
- Tested up to 500.000 cycles

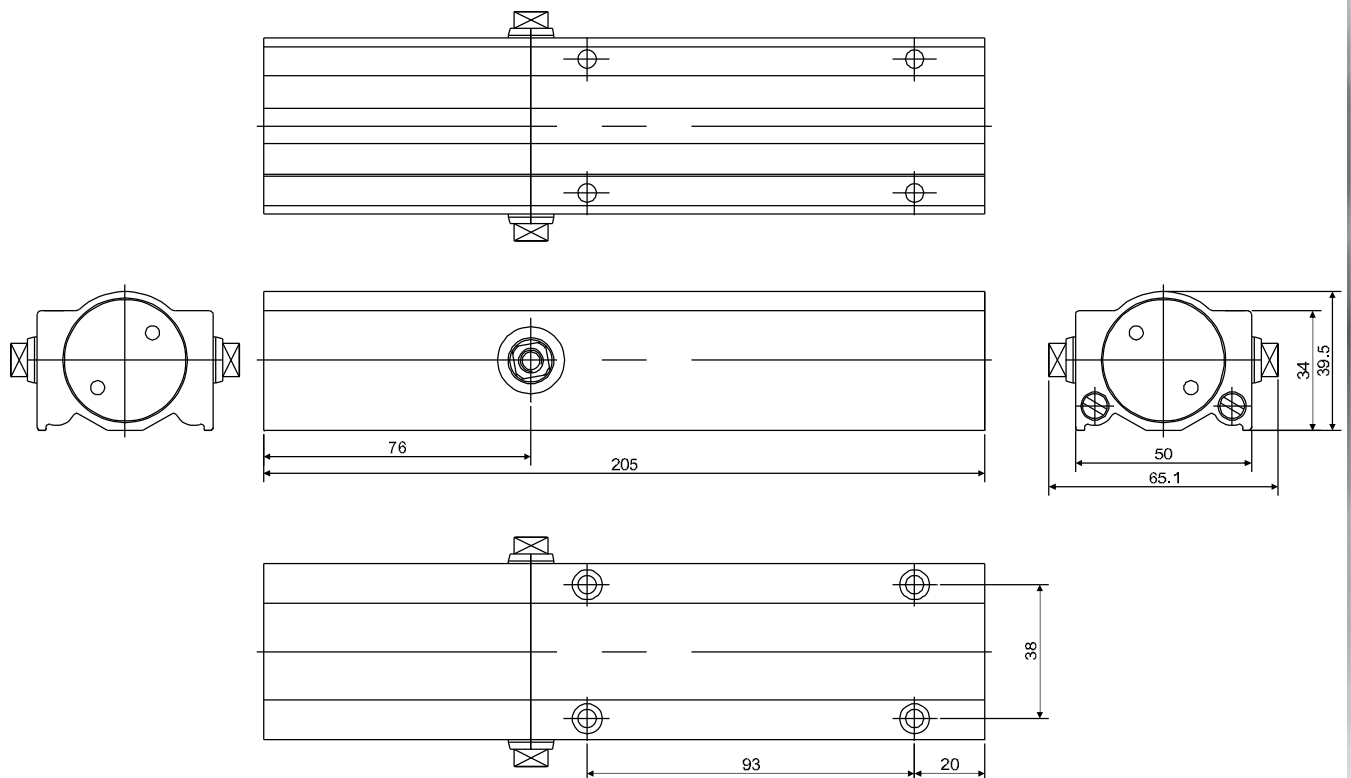
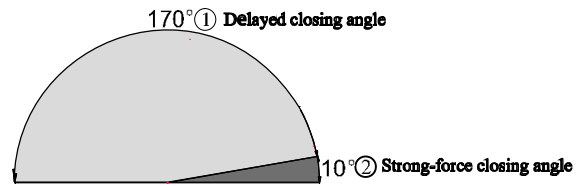
# IGF 30

## OVERHEAD DOOR CLOSER

- Maximum door width and door weight for 3#: 1100mm,90kg
- Stop position of the sliding pole adjustable within 70-150 degree
- Door closing speed adjustable from 180-10 degrees
- Closing force adjustable form 10-0 degree
- Suitable for left and right opening,opening angle 180 degree



- 1 is for adjusting closing speed from 180-10 degree
- 2 is for adjusting closing speed from 10-0 degree



# IGF 31 (for IGF30)

